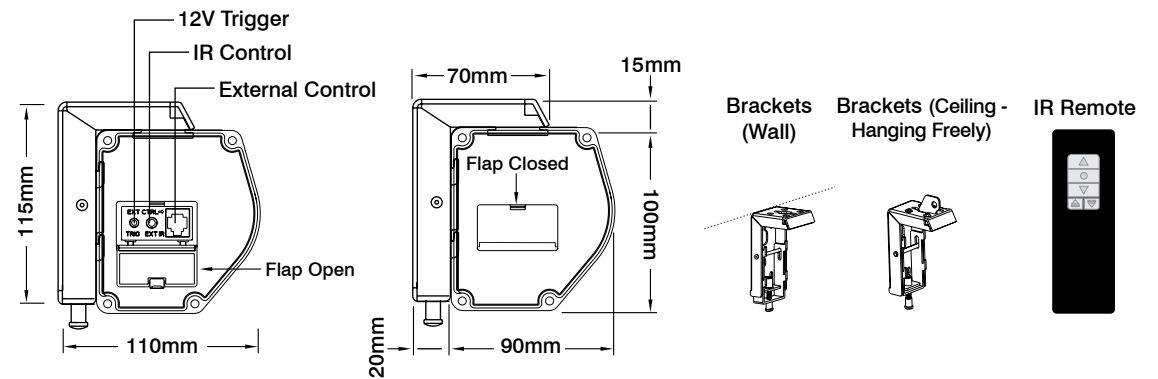
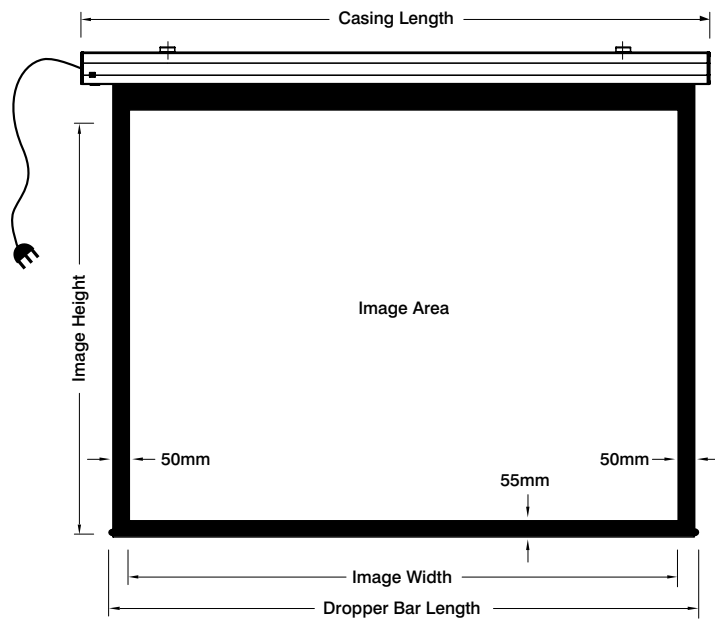


# Specification For Grandview Motorised Smart Screen



## Features:

- IR remote control with fine adjustments buttons. External IR cable provided.
- 12V trigger using 2.5mm output to screen and 3.5mm on projector end.
- Cable for dry contact integration provided.
- RS232 interface possible but requires additional accessory.
- Manual override switch at base of the casing.
- White Aluminium Designer Casing.
- Plana R front projection fabric with 50mm black side borders.
- Easy limit setting adjustment.
- Universal Mounting system - "snap in" brackets can be positioned at any point along the casing.

Product Code	Aspect Ratio	Diagonal Size (inches)	Image Size w x h (mm)	Casing Length (mm)	Dropper bar (mm)	Shipping Size w x h x d (mm)	Net Weight (kg)	Top Black Leader (mm)	To suit HideAway
GRSE084V	4:3	84"	1710 x 1280	1960	1815	2270 x 155 x 160	11	80	HER30HID256
GRSE100V	4:3	100"	2030 x 1525	2280	2135	2590 x 155 x 160	14	80	HER30HID256
GRSE120V	4:3	120"	2400 x 1800	2650	2530	2960 x 155 x 160	15	80	HER30HID298
GRSF085H	16:9	85"	1880 x 1060	2130	1985	2445 x 155 x 160	12	500	HER30HID256
GRSF092H	16:9	92"	2030 x 1145	2280	2135	2590 x 155 x 160	14	500	HER30HID256
GRSF102H	16:9	102"	2260 x 1270	2520	2365	2820 x 155 x 160	15	500	HER30HID298
GRSF112H	16:9	112"	2480 x 1395	2730	2585	3040 x 155 x 160	16	400	HER30HID298
GRSG094C	16:10	94"	2025 x 1265	2275	2155	2590 x 155 x 160	14	500	HER30HID256
GRSG103C	16:10	103"	2220 x 1385	2470	2340	2780 x 155 x 160	15	500	HER30HID256
GRSG110C	16:10	110"	2370 x 1480	2620	2400	2960 x 155 x 160	17	400	HER30HID298